

# ultraframe

Transforming light and space



## Classicroof

by ultraframe

Window & Door Products

Orangery Products

Home Extension Products

Conservatory Products

Skylight Products

## Insulating Pelmet & Prestige Cornice

Installation Guide

Version 1 | Jan 2014

# PLEASE READ THESE NOTES BEFORE INSTALLATION AND PASS TO THE HOMEOWNER FOR FUTURE REFERENCE



Dear Customer,

Thank you for choosing the Ultraframe Classic system and its unique insulating pelmet and Cornice. This guide is designed to make fitting as safe and simple as possible.

Any feedback - positive or negative - is welcomed so we can make the Classic roof even better. Please contact the Tech Support Team on 0843 208 6953 or email [techsupport@ultraframe.co.uk](mailto:techsupport@ultraframe.co.uk)



## Section 1

### General points

Care should be taken when handling components that are seen by the homeowner, as surfaces may be scratched if not handled with care. Choose a suitable area for unpacking the components and always check them before fitting. Any claims for missing or damaged parts are only accepted in line with our standard terms and conditions of sale.

Insulating Pelmet is supplied with a location plan/setting out details. The location plan is used to match individual components/assemblies to their respective position. Our numbering convention always starts top left on the plan.

### Health & safety

Site safety is particularly important. The installation company shall be responsible for the safety of all of the fitting team, the customer and members of the public. The Surveyor should have carried out a risk assessment to reduce risk on site and this should have been discussed with you prior to starting.

Please use safe working platforms and ladders that comply with BS EN 131. Always use equipment in line with manufacturers recommendations. Personal Protective Equipment –such as goggles, mask and ear defenders – should be used when, for example, grinding out for the flashing. Careful consideration should be given to the safe disposal of all packaging – Ultraframe packaging is predominantly made from recycled materials and can be readily recycled. If lights are set into the plasterboard finish they MUST be fireproof.

### The Superstructure

Always ensure that the frames and masonry walls are vertically plumb which will allow perfect alignment of the insulating pelmet.

### Technical Support

Tel 0843 208 6953 Email [techsupport@ultraframe.co.uk](mailto:techsupport@ultraframe.co.uk)

### Tools required



Long nose pliers



Tin Snips



No. 2 Phillips drive Bit



Drill/Screwdriver



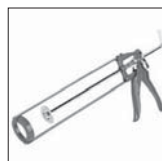
Tape Measure



Hack Saw



10mm Drill Bit



Sealant Gun



Anglefinder



Spirit Level (magnetic)

### Components List



Lightweight steel framework ladder



CHA006 Screw 4mmx13mm self drill Philips head



RRR025 5.5mmx32mm Hex head self drill

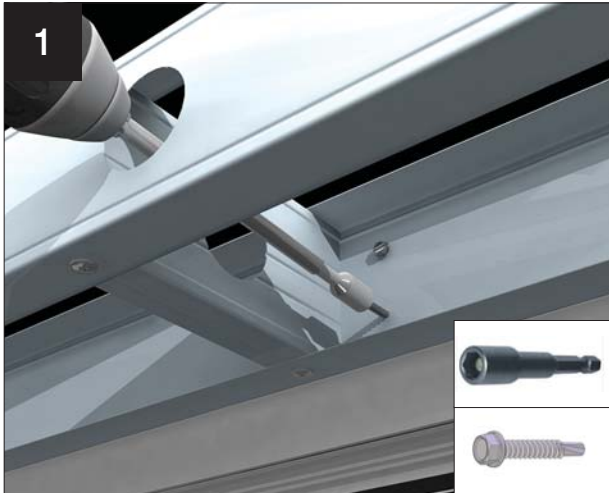


LPSP008 MAGNETIC NUT DRIVER 8MM AF

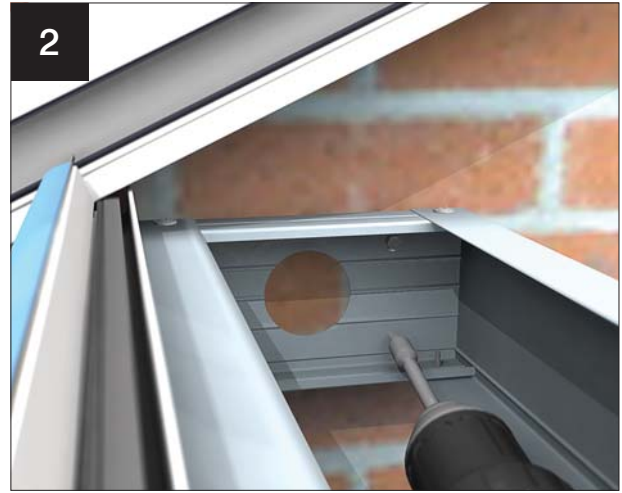
**PLEASE USE THE LOCATION PLAN/SETTING OUT DETAILS PROVIDED**

# INSULATING PELMET INSTALLATION

THE ULTRAFRAME CLASSIC ROOF SHOULD BE ASSEMBLED AND COMPLETE AT THIS TIME



Choose the first horizontal ladder (from the location plan in the order specified) and lift into position – a temporary timber support leg will help you. The ladder must line up with the bottom edge of the pvc fascia board. Use two 5.5 x 32mm Hex head screws and nut driver provided provided at 600mm centres.

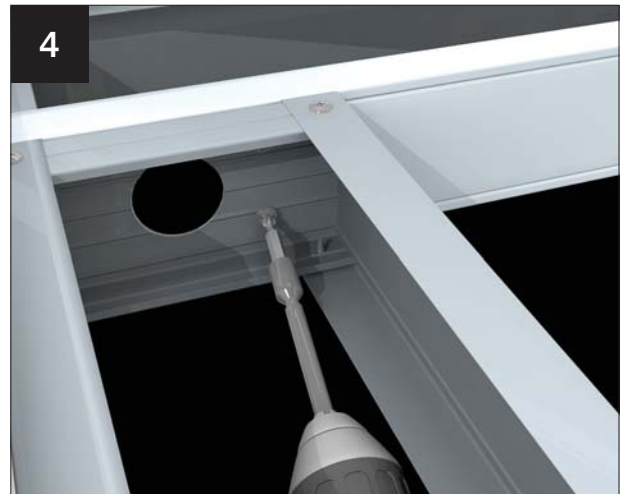


Where the ladder abuts the host wall, attach using two masonry anchors. (Not supplied)

**PLEASE CONSIDER POSITION OF ANY SPOTLIGHTS - PELMET MAY NEED 'STRUTS' REPOSITIONING TO FIT LIGHTS AT YOUR DESIRED CENTRES**



Now offer up the next ladder and line up as above.



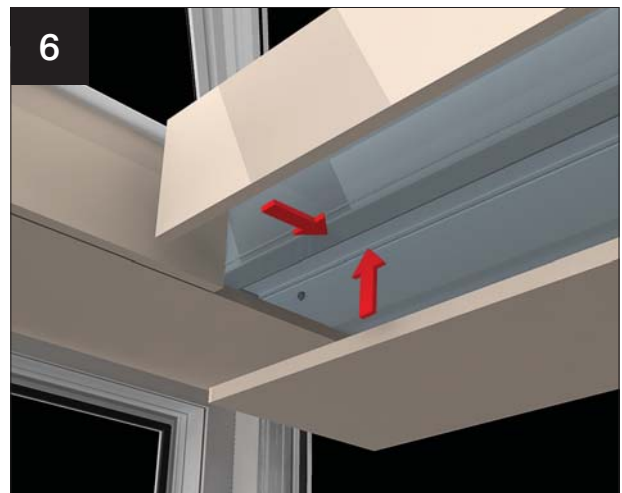
Join the two adjacent ladders together, using 2 self drilling screws

**IF THE 'LADDER' PELMET ABUTS A BOX GUTTER, UNDER NO CIRCUMSTANCES SCREW FIX INTO BOX GUTTER**



Cut and fit the window board. Using a long reach drill bit, screw the ladder to the window board at regular centres at the front and back edge.

**RUN ANY CABLES AT THIS STAGE**

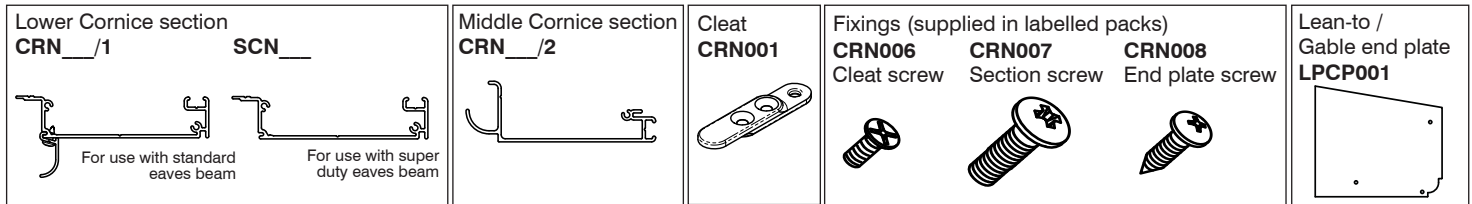


Now cut and screw fix the 12.5mm plasterboard at the centres recommended by the supplier. Bead and then plaster skim in the usual way.

## PRESTIGE CORNICE INSTALLATION

# Section 2

**Recommended tools** - Long reach magnetic bit, 73mm hole saw. **Additional materials** - Timber baton (treated) 49mm x 20mm and cut to length as required - only used when a gutter return and the host wall is required.



This item is powder coated both sides to avoid 'handing' issues

## CORNICE PRE INSTALLATION INFORMATION

**FILM** - Peel back the protective film at each of the mitred corners, prior to fitting. Ensure all film is removed following installation. Failure to do so will damage the finish over time.

**SEALING** - After installation, do not seal around the down pipe hole (step 1). The gap will allow water to escape from Cornice in the event of extreme weather conditions.

**LADDERS** - Take care when using ladders as they could damage the Cornice.

### FITTERS TIPS

1. Start the installation of Cornice when the basic roof structure is in place (bars and ridge) but before the glazing and guttering have been installed.
2. Prior to installation please ensure the eaves beam joints are tight and are silicone sealed.
3. Try temporarily fixing the lower Cornice sections, position appropriately to obtain the best mitre fit. Remember the lower Cornice section is the datum!
4. Do not force the cleats during assembly. Cleats are used to position the mitre joints only!



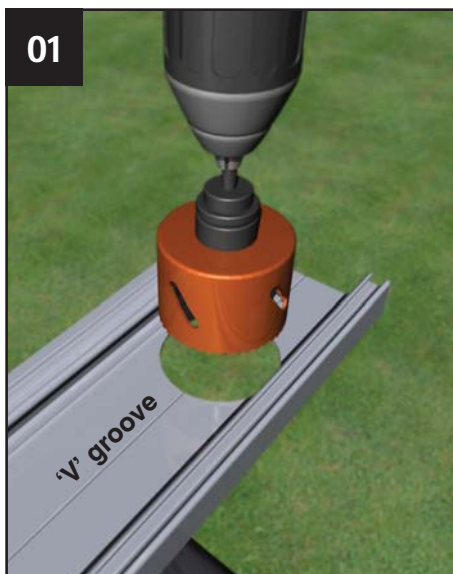
Once the eaves beam is secure, run a bead of silicone down the joint where the eaves beam sections meet and where the eaves abuts the host wall. YOU MAY AT THIS STAGE INSTALL THE GUTTERING PRIOR TO FITTING THE GLAZING BARS

## PLEASE READ THESE NOTES BEFORE INSTALLATION AND PASS TO THE HOMEOWNER FOR FUTURE REFERENCE

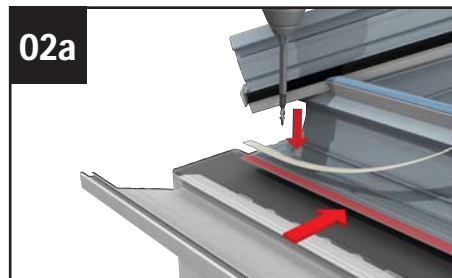
## CORNICE INSTALLATION

Ensure the eaves beam, glazing bars, ridge/wallplate are already installed

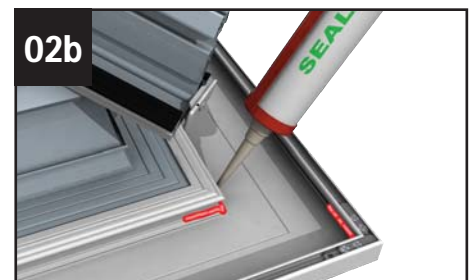
### ADDITIONAL STEPS WITH LOGGIA COLUMNS



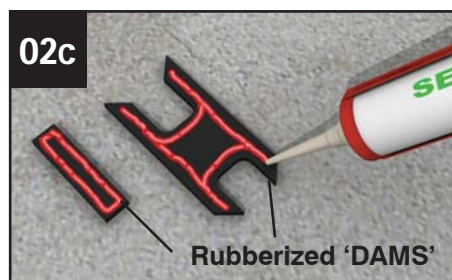
Decide the position of the gutter outlet by lining the extrusion 'v' groove up with the centre of the hole for the down pipe. Using a 73mm dia hole saw, cut the hole for the down pipe in the lower section.



Remove under gutter trim, attach self adhesive strip to 'toe' of eaves beam.



Silicone seal front and back edge of lower Cornice sections (be generous). Similarly butter 'DAM' sealer (50mm of any stop end)

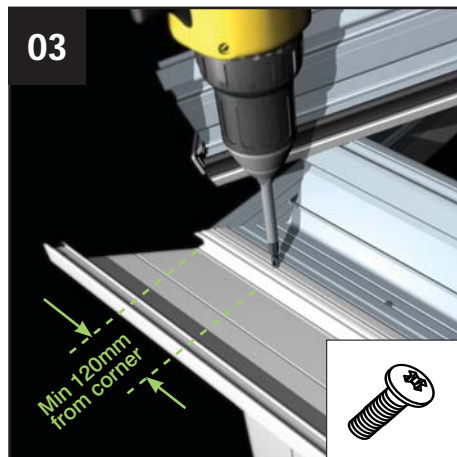


Take 'rubberized' sealer strips and generously butter with silicone.

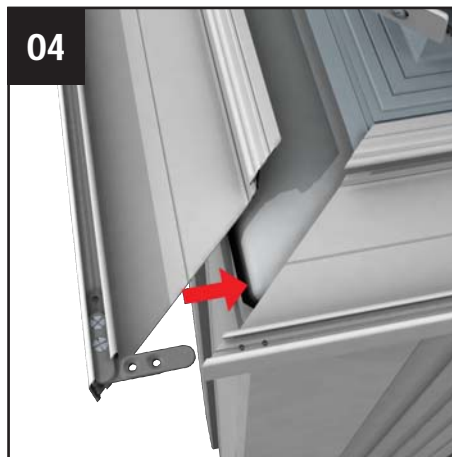


At 90° corner insert 'H' section and press down at stop end.

## PRESTIGE CORNICE INSTALLATION



Remove the under gutter trim and dispose of it. Prior to fitting gutter offer up the lower Cornice section then secure into position using the fixings provided (CRN007). **Please note: Always start with the front facet!**

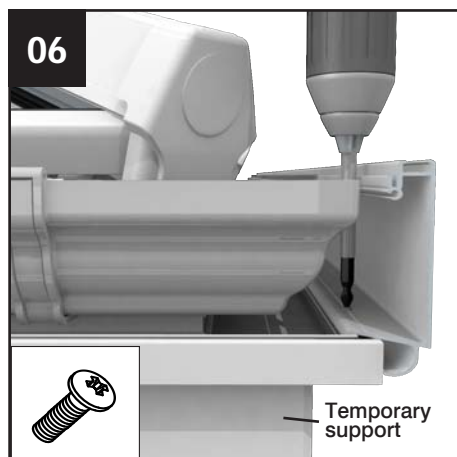


Fit the cleats (CRN001) to the desired side using the fixings provided (CRN006) as shown and assemble the remaining lower sections

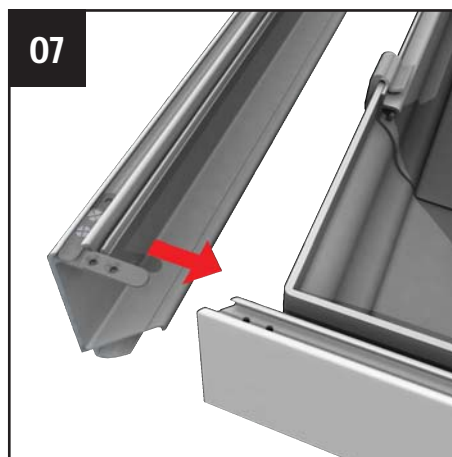


Secure each corner using the cleats (CRN001) and fixings provided (CRN006).

The gutter and glazing should now be fitted (see main roof guide). Check integrity of all gutter joints before proceeding further.



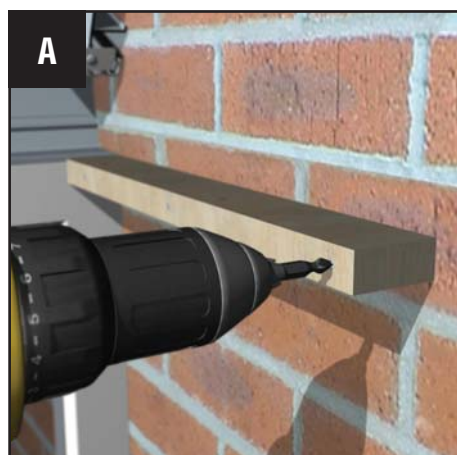
Offer up the front face of the Prestige Cornice section into position, (it may be advisable to temporarily support the lower Cornice section whilst fixing) secure using fixings provided (CRN007). (Long reach driver required).



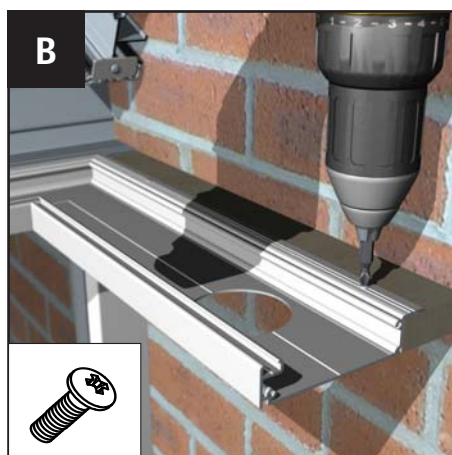
Fit cleats as shown in step 3. Offer up the next middle Cornice section. Continue to support lower section as shown in step 5.



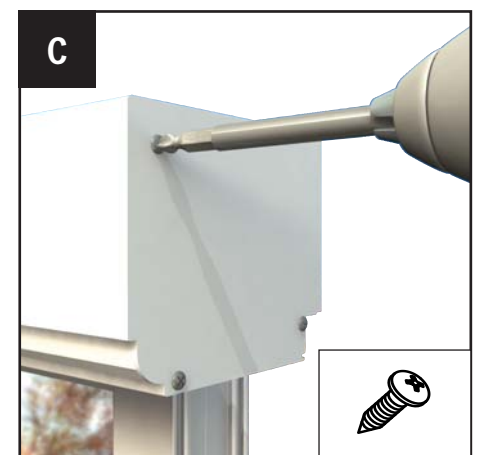
As shown in step 5 it may be advisable to temporarily support the Cornice whilst fixing. Secure corners using the cleats (CRN001) and fixings provided (CRN006).



**Gutter return detail** If the gutter needs to run along the host wall (shown above) complete steps A and B after step 4. Ensure the treated timber batten (49mm x 20mm) is level, then fix into position.

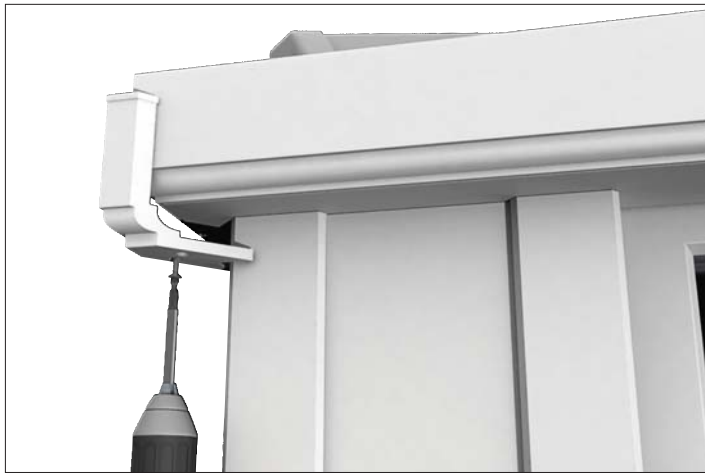


Secure lower section using fixings provided (CRN007). Assemble remainder of Cornice as 5 - 7 above.



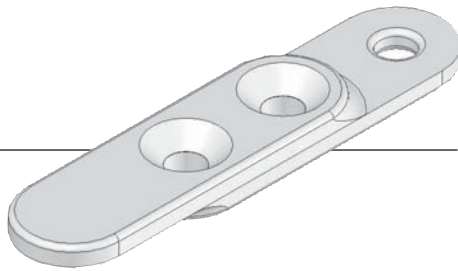
**Gutter stop end detail** Used with lean-to roofs, gable roofs or when the gutter returns along the host wall. Secure the end plate into position using the fixings provided (CRN008).

## PRESTIGE CORNICE CORNER

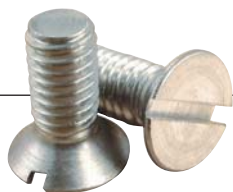


Whilst ensuring that the corner remains located in position, screw fix using self drilling screws CRN007

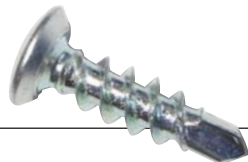
*Cleat*  
CRN001



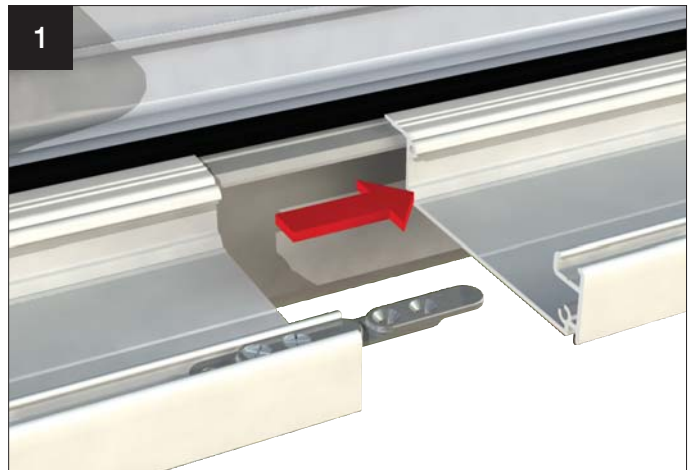
*Cleat Fixing Screw*  
CRN006 (2 per jointer)



*Fixing Screw*  
CRN007 (2 per jointer)



## STRAIGHT JOINTER INSTALLATION



1. Attach the cleat CRN001 using 2 x CRN006 provided, on each side of the joint. Repeat for the next Cornice 'layer'.



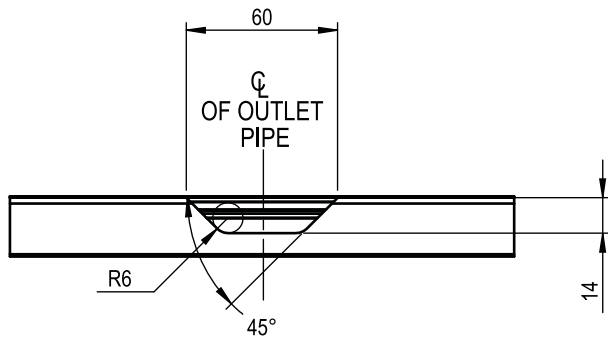
2. Offer up the CRN180 straight jointer, hook over the front lip of the Cornice. Whilst ensuring that the jointer remains located in position, screw fix using self drilling screws CRN007

Please note that it is not compulsory to fit the jointers provided, if due care has been taken with the installation of the Cornice. If on the other hand the 'look' of the cast jointer is preferred follow the instructions above for each relevant jointer. For straight joints some companies MAY have ordered a 'dummy' joint at 'mid-run', if so just follow step two. The die cast straight jointer can also be configured on site to be used at host wall position.

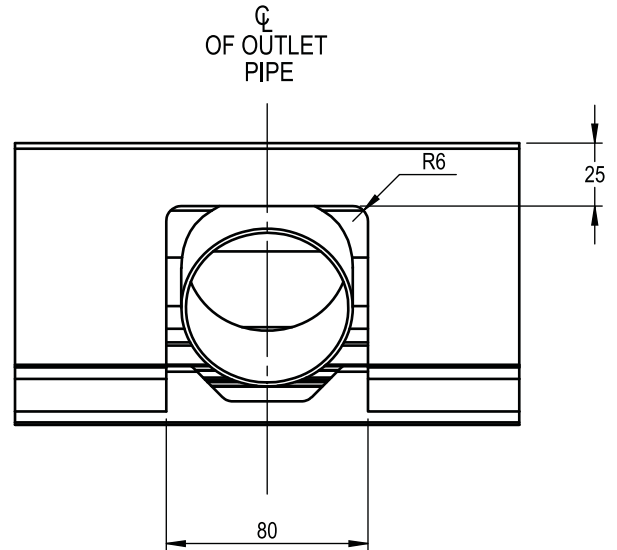
# PRESTIGE CORNICE INSTALLATION - INLINE OUTLET COVER

IT IS IMPORTANT TO CONSIDER THE OUTLET POSITION PRIOR TO FITTING THE CORNICE.

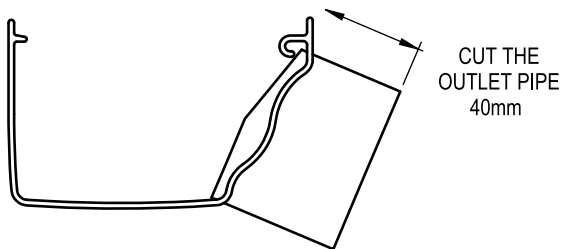
WHEN THE OUTLET POSITION HAS BEEN DECIDED  
NOTCH THE CORNICE LOWER PROFILE AS SHOWN



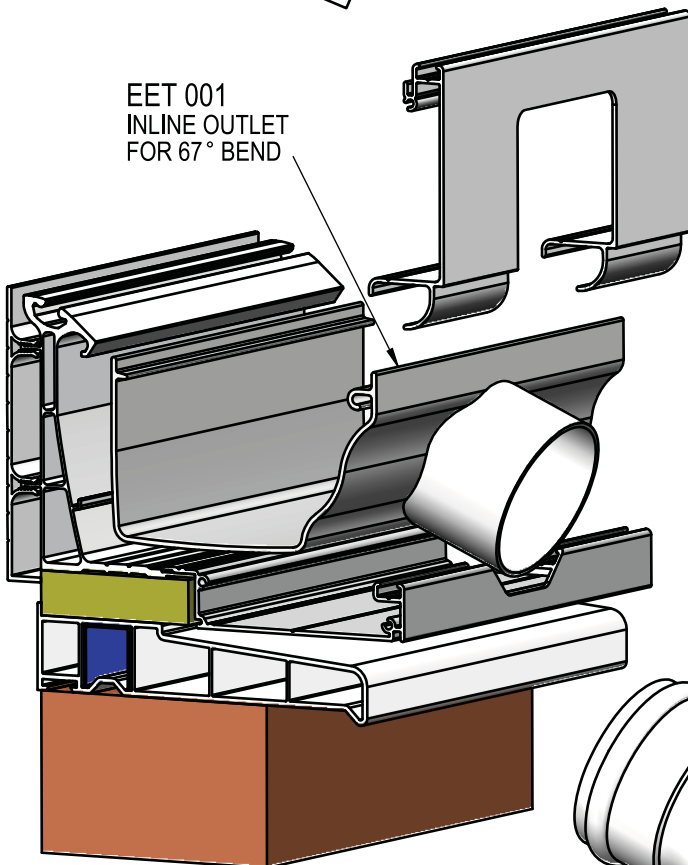
WHEN THE OUTLET POSITION HAS BEEN DECIDED  
NOTCH THE CORNICE UPPER PROFILE AS SHOWN



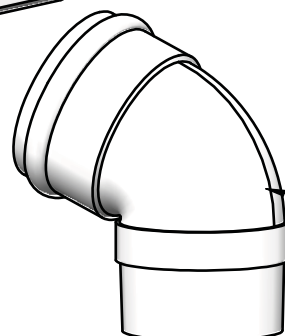
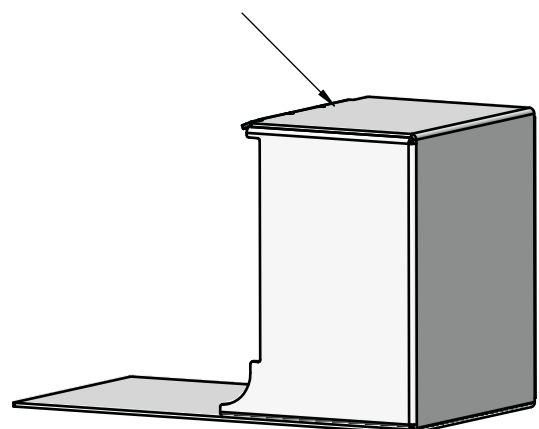
EET 001  
INLINE OUTLET  
FOR 67° BEND



EET 001  
INLINE OUTLET  
FOR 67° BEND



LPCP 002  
PRESTIGE CORNICE  
INLINE OUTLET  
COVER



RDP 068  
RAINWATER  
PIPE 67°  
OBTUSE  
BEND

# ultraframe

Transforming light and space

[www.ultraframe.co.uk](http://www.ultraframe.co.uk)

Ultraframe (UK) Ltd, Salthill Road, Clitheroe, Lancashire. BB7 1PE